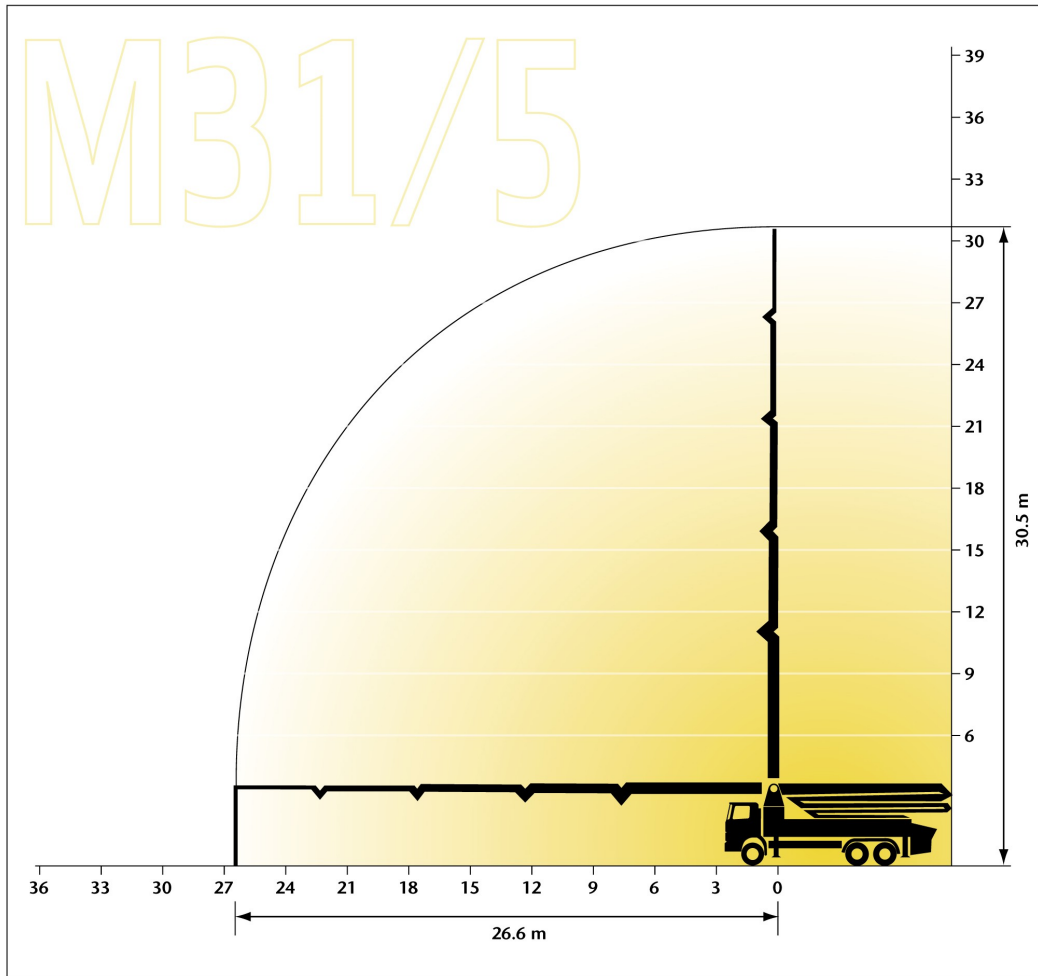
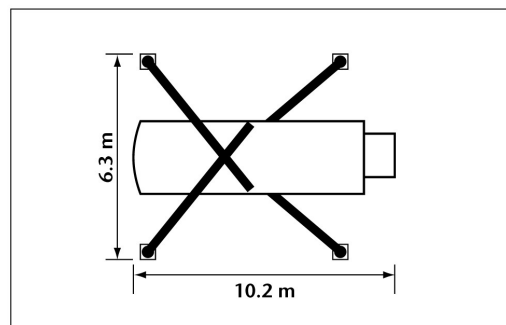


M31/5 | MOBILE CONCRETE BOOM PUMP



BOOM	M31/5
Maximum vertical reach	30.5 m
Maximum gross horizontal reach	26.6 m
Maximum net horizontal reach	24.3 m
Reach depth	20.4 m
Minimum unfolding height	5.7 m
Number of arms	5
Pipeline diameter	125 mm
Pump length	10.2 m
Front outrigger spread	6.3 m
Rear outrigger spread	6.3 m



M31/5 – Mobile Concrete Boom Pump

This information is given for guidance only. Due to fleet renewals and pump manufacturers' developments, the pumps supplied may differ slightly from specification outlined above. It is recommended that a site visit is requested if the exact pump dimensions are critical to the pumping operation.