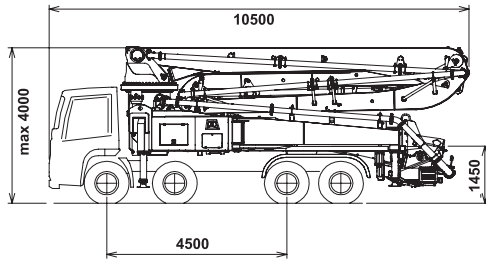
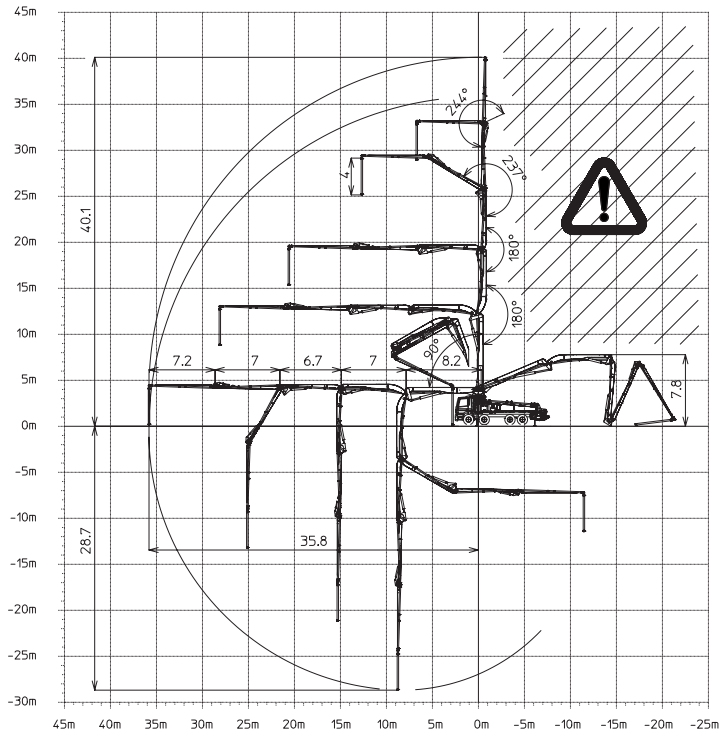
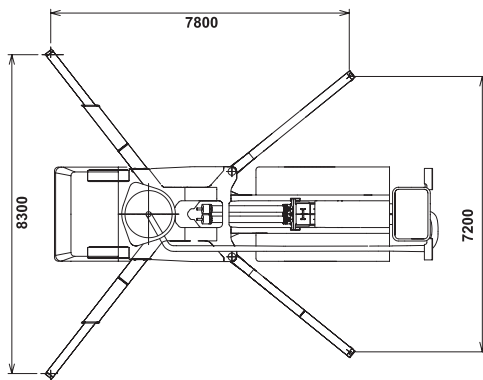


M41 | MOBILE CONCRETE BOOM PUMP



Dimensions varying according to truck assembly



Placing boom technical data

Model	B5RZ 41/36	
Pipeline diameter	mm	125
Max. vertical reach	m	40,1
Max. horizontal distance (from center of slewing axis)	m	35,8
Min. unfolding height	m	7,8
Section numbers		5
1st section opening angle		90°
2nd section opening angle		180°
3rd section opening angle		180°
4th section opening angle		237°
5th section opening angle		244°
Rotating angle		370°
End hose length	m	4

Technical data and characteristics subject to modifications without notice