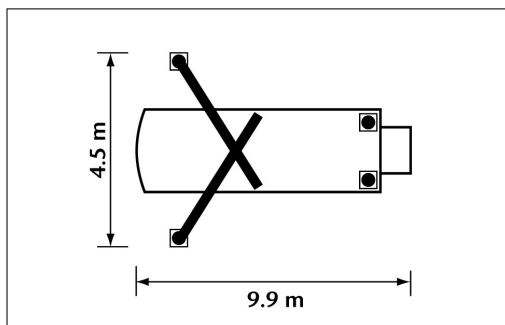
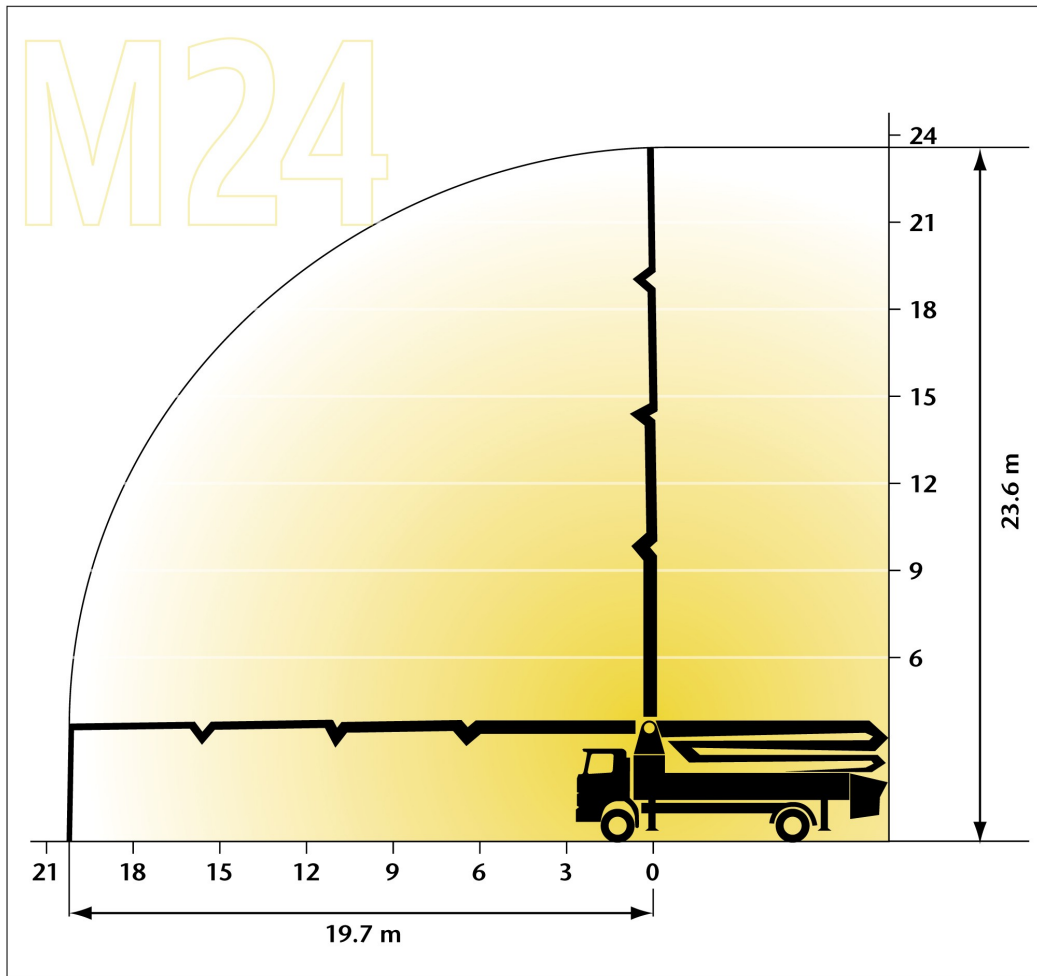


M24 | MOBILE CONCRETE BOOM PUMP



M24 – Mobile Concrete Boom Pump

BOOM	M24
Maximum vertical reach	23.6 m
Maximum gross horizontal reach	19.7 m
Maximum net horizontal reach	17.6 m
Reach depth	14.5 m
Minimum unfolding height	4.9 m
Number of arms	4
Pipeline diameter	125 mm
Pump length	9.9 m
Front outrigger spread	4.5 m
Rear outrigger spread	2.3 m

This information is given for guidance only. Due to fleet renewals and pump manufacturers' developments, the pumps supplied may differ slightly from specification outlined above. It is recommended that a site visit is requested if the exact pump dimensions are critical to the pumping operation.